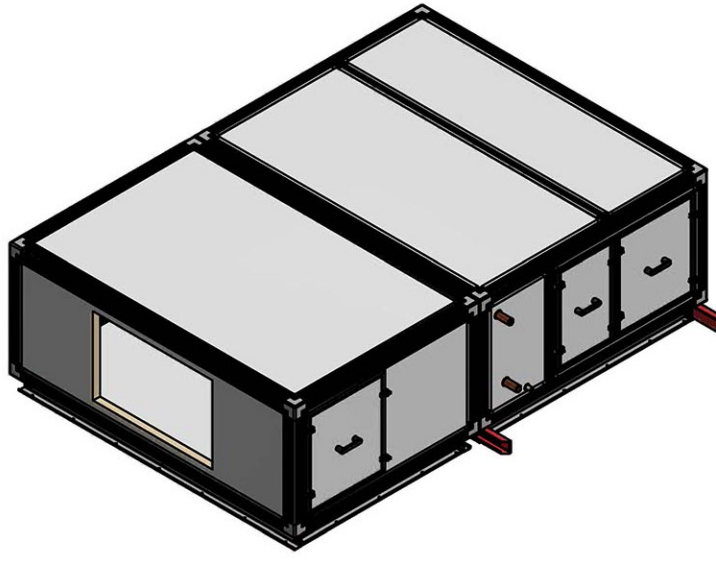
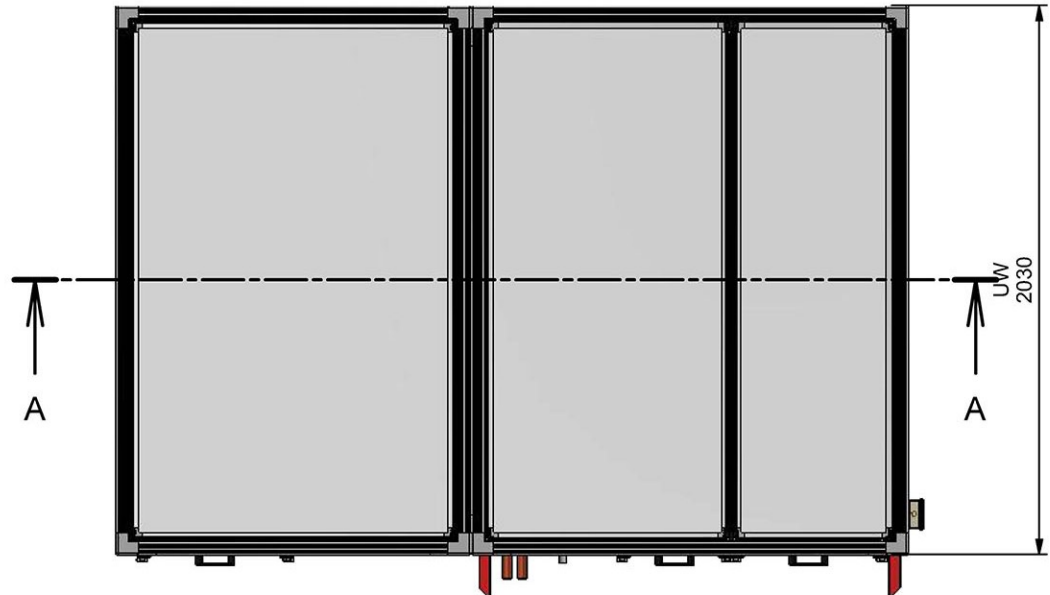
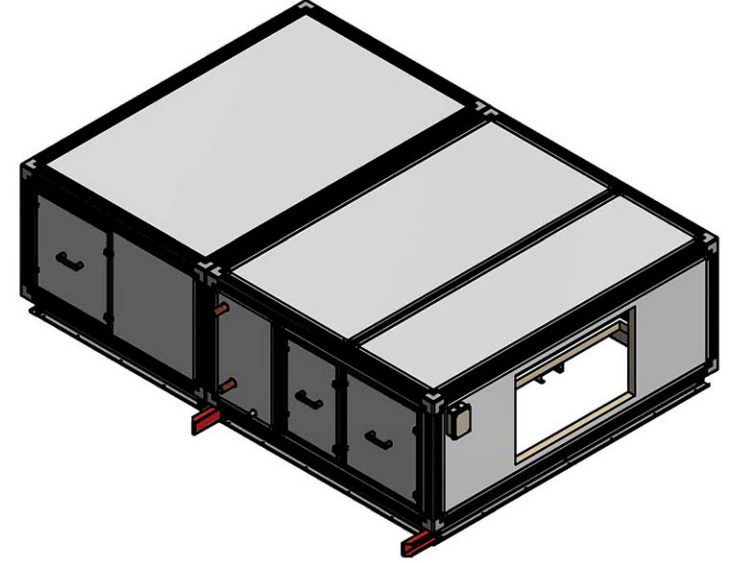


10 9 8 7 6 5 4 3 2 1

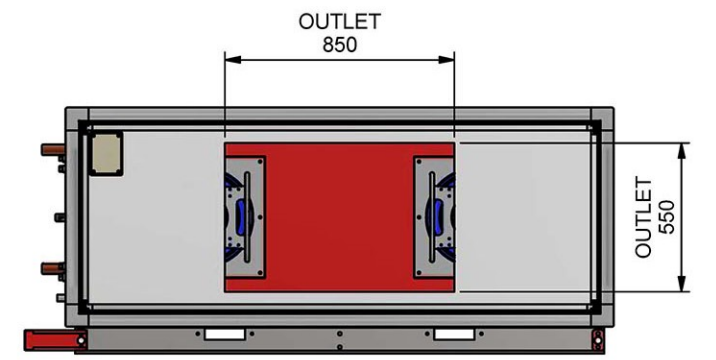
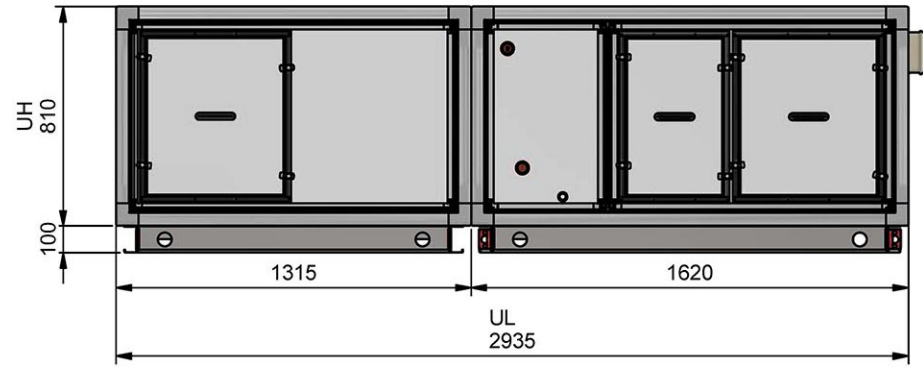
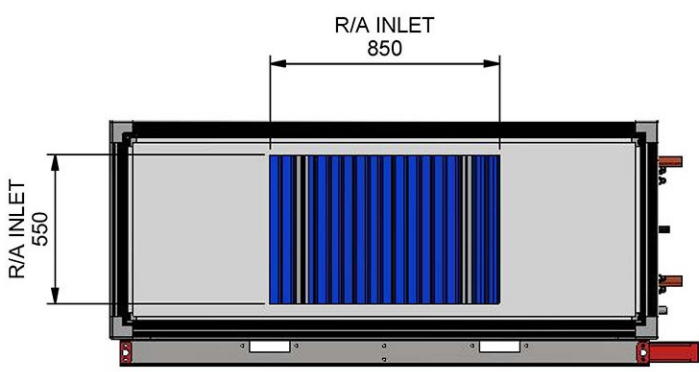
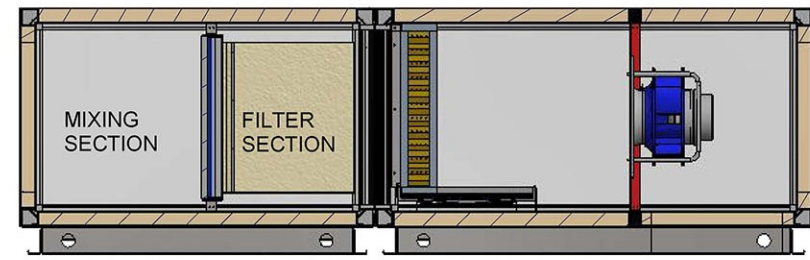
VIEW ISO 1 (1 : 38)



VIEW ISO 2 (1 : 38)



A-A (1 : 28)



MAX R/A INLET (HORIZONTAL) : 570X1790MM
 MAX O/A INLET (VERTICAL) : 480X1790MM
 MAX S/A (HORIZONTAL) : 570X1520MM
 MAX S/A (VERTICAL) : 480X1805MM

UNLESS OTHERWISE SPECIFIED
 DIMENSIONS ARE IN MILLIMETERS
 BREAK AND DEBUR ALL SHARP EDGES

3rd ANGLE PROJECTION
 DO NOT SCALE DRAWING

Rev	By	Date	Description
/00	Toh	22/03/2017	Initial Released

Fantech Pty Ltd. © A.C.N. 005 434 024
 45 NESTOR DRIVE, MEADOWBROOK, QUEENSLAND, AUSTRALIA. 4131
 TELEPHONE: (07) 32 999 888 FACSIMILE: (07) 32 999 800

DRAWN: Toh	DATE: 22/3/2017	General Layout ME2B-H206/G3-FPL, GR31(115506)x2	
CHKED: Sean	DATE: --		
APPRD: JT	DATE: --		
DRAWING NO: 868-8030-1206	REV: /00	SCALE: 1 : 28	SIZE: A3